


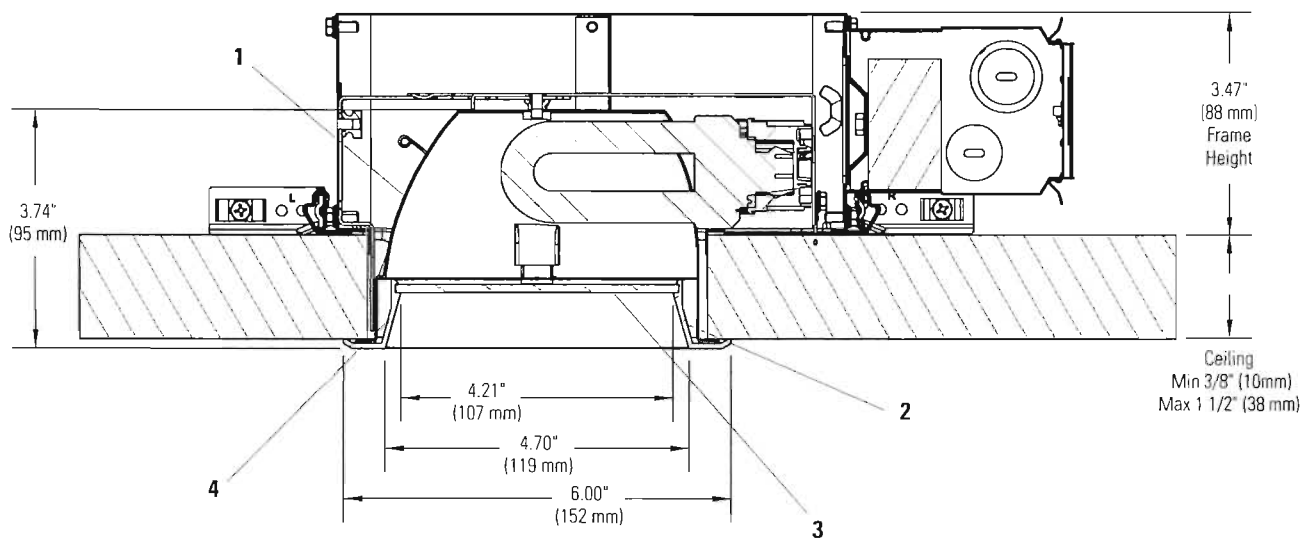




31 Campus Plaza Road, Hadley, MA 01035

June 16, 2009

LOCATION	DESCRIPTION	HEIGHT	MANUFACTURER	NAME AND PRODUCT NUMBER	LAMP	
Front Entry Porch	Lensed, Recessed Down-Light		Lightolier	1050RNDLCDW	26W fluorescent, included, single bulb	
Front Entry Walk	Wall Mounted, 1 adjacent to front porch	7 ft above walkway grade	Kichler	Morris Outdoor Wall Mount, 9025DCO	100W max incandescent, single bulb	
Rear Entry Door	Wall Mounted, 1 on each side of doors	7 ft above patio/deck grade	Kichler	Cross Creek Outdoor Bracket, 9128AGZ	100W max incandescent, single bulb	
Rear Upper Deck Door	Wall Mounted, 1 on each side of doors	6 ft 4 in above deck				



Complete Fixture consists of Frame-In Kit and Reflector Trim. Select each separately.

Xceed Compact Fluorescent Lensed Round Reflector Trims

Compatible Xceed Frame-In Kits
(See Individual Frame-In Kit Specification Sheets)

Catalog No.	Description	Catalog No.	Installation Type	Lamping
1050RNDLWB	5" Horizontal Lensed Downlight - White Baffle, White Flange	1050RN13ES†*	IC Airseal® 120v	13w Triple
1050RNDLCDW	5" Horizontal Lensed Downlight - Clear Diffuse, White Flange	1050RN18ES†*	IC Airseal® 120v	18w Triple
1050RNDLCDP	5" Horizontal Lensed Downlight - Clear Diffuse, Clear Diffuse Flange	1050RN26ES†*	IC Airseal® 120v	26w Triple
1050RNDLWDW	5" Horizontal Lensed Downlight - Warm Diffuse, White Flange	1050DRN26ES†*	IC Airseal® Energy Star® Dimming 120V	26w Triple
1050RNDLWDP	5" Horizontal Lensed Downlight - Warm Diffuse, Warm Diffuse Flange	1050RN13CMU†**	Non-IC Airseal® 120/277v	13w Triple
1050RNDLWC	5" Horizontal Lensed Downlight - White Cone, White Flange	1050RN18CMU†**	Non-IC Airseal® 120/277v	18w Triple
		1050RN26CMU†**	Non-IC Airseal 120/277v	26W Triple

†All frames come standard with preset mounting screws and a 2700K lamp. Models are available with preset nails and/or a 3500K lamp (13ES/13CMU = 2700K only).
*Simply add an "N" and/or 35 to the end of the model number for those options. **Simply add an N and/or 35 before the "U" in the model number for those options.

Features

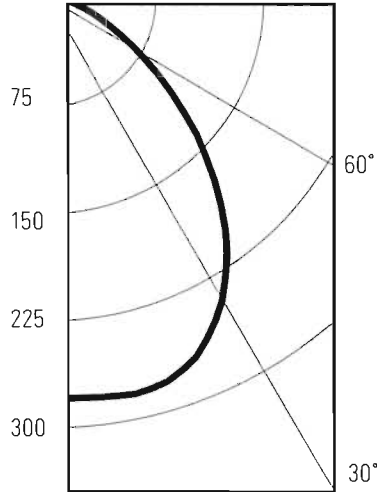
- Upper Reflector:** Formed aluminum. Highly reflective corrosion resistant anodized finish
- Lower Baffle / Cone:** Injection molded non-yellowing Polycarbonate plastic trim. Matte white finish. CD and WD finishes are a painted metallic coated finish.
- Lens:** 1/8" thick high transmission soda lime glass. Solite texture to hide visibility to the lamp.
- Finishes:** WB = Matte white baffle CD = Clear Diffuse WD = Warm Diffuse
- Performance Data:** See attached photometric reports for distribution and efficiency data. Go to www.lightolier.com for .IES files.

Labels

cULus Listed. Suitable for Wet Locations. I.B.E.W.

Job Information	Type:
Job Name:	
Cat. No.:	
Lamp(s):	
Notes:	

Lytecaster 4.25" Aperture Downlight 1050RN18ES / 1050RNDLWB, White Baffle 18W Philips PL-T CFL, Lumen Rating = 1200 LMS.



Test Report No. 3871FK
 Advance Ballast# REB-118-M6
 Efficiency = 54.0%
 SC = 1.3
 Input Watts = 18.0

Tested According to
 IES Procedures
 with Thermal Insulation

Candlepower Summary		
Angle	Along	Lumens
0	278	
5	279	27
10	281	
15	281	79
20	275	
25	262	121
30	243	
35	218	136
40	188	
45	156	121
50	124	
55	94	85
60	69	
65	49	49
70	34	
75	21	23
80	12	
85	5	6
90	1	

Zonal Lumens and Percentages			
Zone	Lumens	%Lamp	%Fixt
0-30	226	18.88	34.99
0-40	362	30.21	55.96
0-60	568	47.40	87.84
0-90	647	53.96	100.00
40-90	285	23.75	44.02
60-90	78	6.56	12.16
90-180	0	00	.00
0-180	647	53.96	100

**** Efficiency = 54.0% ****

Coefficients of Utilization													
Ceiling	80%				70%				50%				30%
Wall	70	50	30	10	50	10	50	10	50	10	50	10	0
RCR	Zonal Cavity Method - Effective Floor Reflectance = 20%												
Room Cavity Ratio	0	.64	.64	.64	.64	.63	.63	.60	.60	.57	.57	.54	
	1	.60	.58	.56	.55	.57	.54	.55	.52	.53	.52	.51	
	2	.56	.52	.50	.47	.51	.47	.50	.45	.48	.46	.46	
	3	.52	.47	.44	.41	.46	.41	.45	.40	.44	.39	.38	
	4	.48	.43	.39	.36	.42	.36	.41	.35	.40	.35	.33	
	5	.45	.39	.35	.32	.38	.32	.37	.31	.36	.31	.30	
	6	.42	.35	.31	.28	.35	.28	.34	.28	.33	.28	.26	
	7	.38	.32	.28	.25	.32	.25	.31	.25	.30	.24	.23	
	8	.36	.29	.25	.22	.29	.22	.28	.22	.27	.22	.21	
	9	.33	.27	.23	.20	.26	.20	.26	.20	.25	.19	.18	
	10	.31	.24	.20	.18	.24	.18	.24	.18	.23	.17	.16	

Determined In Accordance With Current IES Published Procedures
 Luminaire Input Watts = 21.0

Single Unit Application Data		
Height to Lighted Plane	Initial Center Beam Foot-Candles	Beam Diameter
6'	8	8'
7'	6	9'
8'	4	10'

Beam diameter is where foot-candles drop to 50% of maximum.

Job Information **Type:**



MORRIS - Outdoor Wall Mount 1Lt Incande

9025DCO

Outdoor Wall Mount 1Lt Incandescent

Dia./Width: 8.5 IN

Body Height: 9.5 IN

Length: 9.0 IN

Available Finishes:

Distressed Copper

The incomparable trailing design of this wall lantern from the Morris collection reflects Southwest Mission style. Distressed copper finish along with the inside etched, iridescent -seedy glass will be admired time and again. 1-light, 100-W. Max. (M) Width 8-1/2", Height 9-1/2", Extension 9". Height from center of wall opening 2-3/4". Backplate size: 4-3/4" x 5-1/2". U.L. listed for wet location.

Technical Information

Type	Outdoor Lights	Backplate Dimensions	4.75 X 5.5 IN
Style	Arts and Crafts / Mission	Bulb Included	N
Finish Group	Copper	Primary Bulb Count	1
Room	Outdoor	Primary Max Watt	100W
Weight	5.85 LBS	Primary Lamp Type	A19
Body Height	9.5 IN	Primary Bulb Base	P
Length	9 IN	UL CSA Listed	Y
Width	8.5 IN	Diffuser Description	INSIDE ETCHED IRIDIZED SEEDY SIDE/BOTTOM
Extension	8.75 IN	Body Material	aluminum
Height from Junction Box	2.75 IN		



Cross Creek - Outdoor Bracket 1Lt Incandescent

9128AGZ

Outdoor Bracket 1Lt Incandescent

Dia./Width: 6.0 IN
Body Height: 8.5 IN
Length: 7.5 IN

Available Finishes:

Aged Bronze

With rustic charm as unique as its design, The Cross Creek Collection puts a modern spin on a classic fixture. Each piece is constructed from long lasting cast aluminum ensuring a quality fit and finish that will last for ages. Our Aged Bronze finish adds a distressed appearance to the piece, while Textured linen seedy glass panels additional warmth make the Cross Creek Collection the perfect balance of ambiance, style, and value. This one light wall lantern from the Cross Creek Collection uses a 100-watt (max.) bulb and is 8 ½" high. It is U.L. listed for wet location.

Technical Information

Type	Outdoor Lights	Extra Lead	2.5 IN
Style	Arts and Crafts / Mission	Backplate Dimensions	5. SQ IN
Finish Group	Hand Painted	Bulb Included	N
Room	Outdoor	Primary Bulb Count	1
Weight	3 LBS	Primary Max Watt	100W
Body Height	8.5 IN	Primary Lamp Type	A19
Length	7.5 IN	Primary Bulb Base	P
Width	6 IN	UL CSA Listed	Y
Extension	7.13 IN	Diffuser Description	Textured Linen Seedy Glass
Height from Junction Box	2.50 IN	Body Material	Aluminum