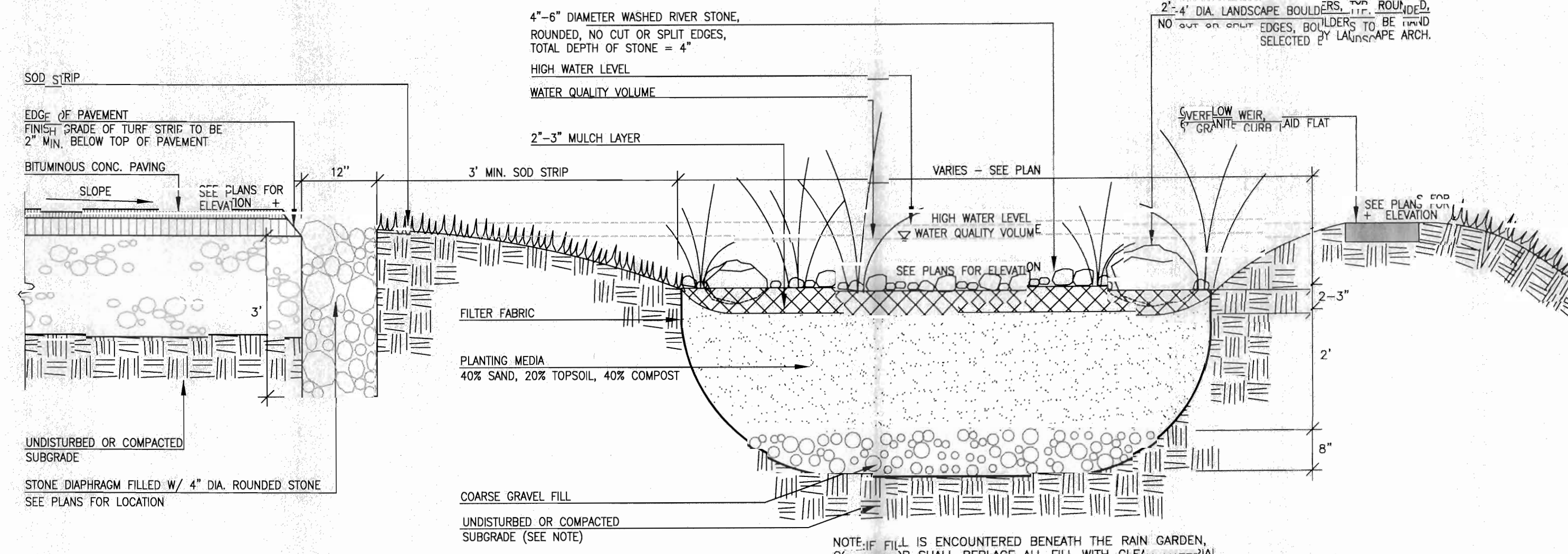


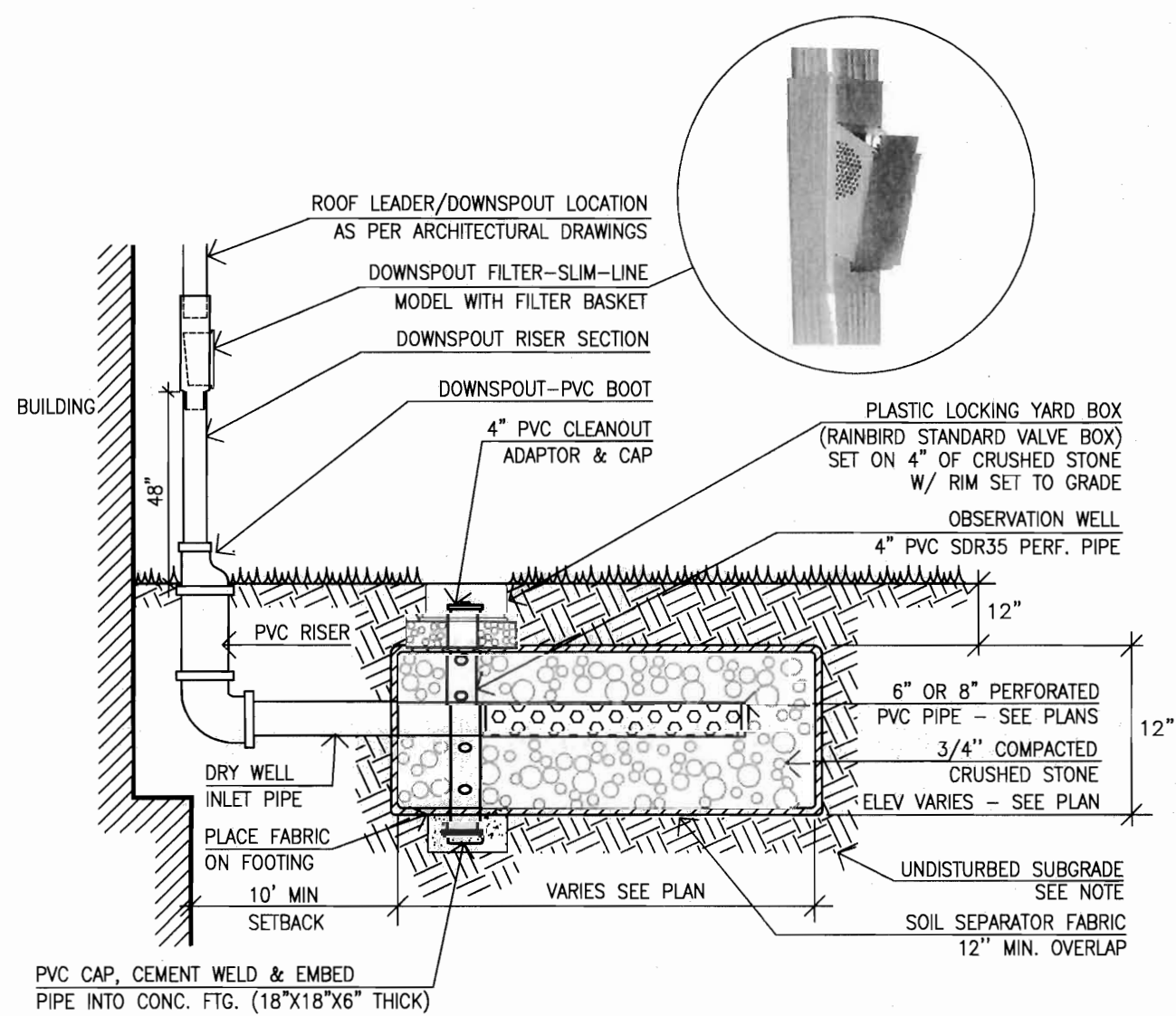
**1 Snow Melt Trench & Permeable Pavers**

L5 Not to Scale



**2 Rain Garden**

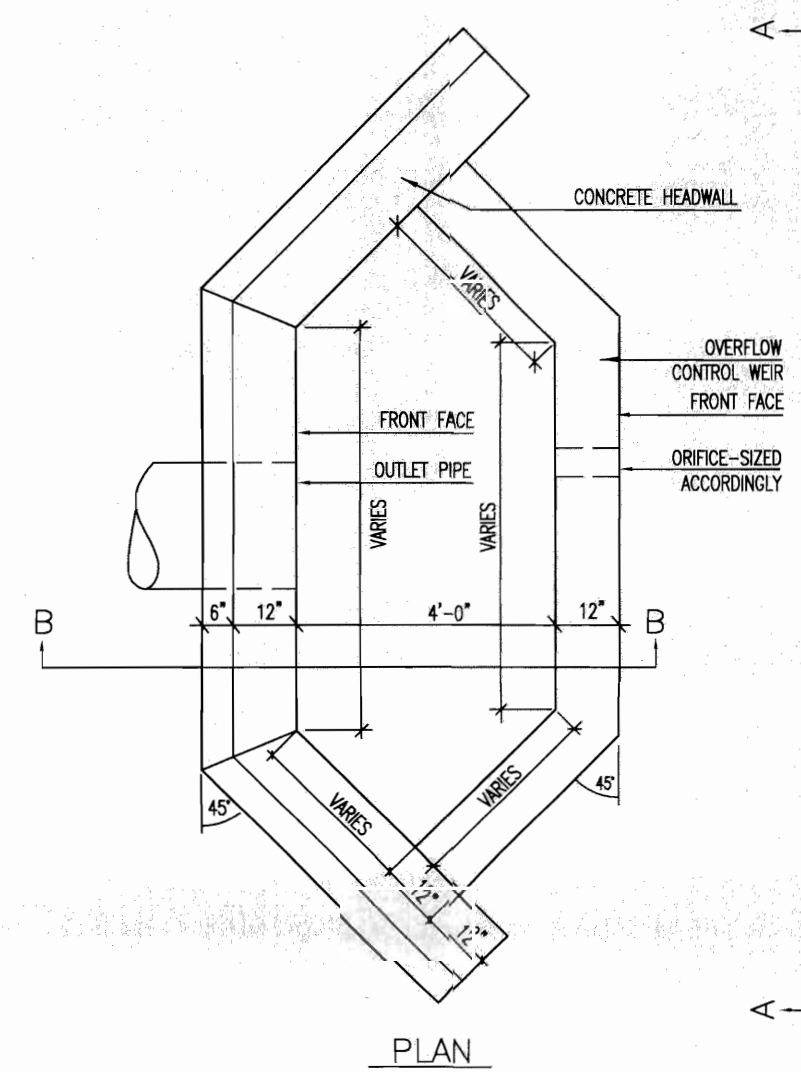
L5 Not to Scale



NOTE: IF FILL IS ENCOUNTERED BENEATH THE DRY WELL, CONTRACTOR SHALL REPLACE ALL FILL WITH CLEAN MATERIAL SUITABLE FOR INFILTRATION (AS PER MADEP STORMWATER HANDBOOK, VOLUME 3, CHAPTER 1, PAGE 12)

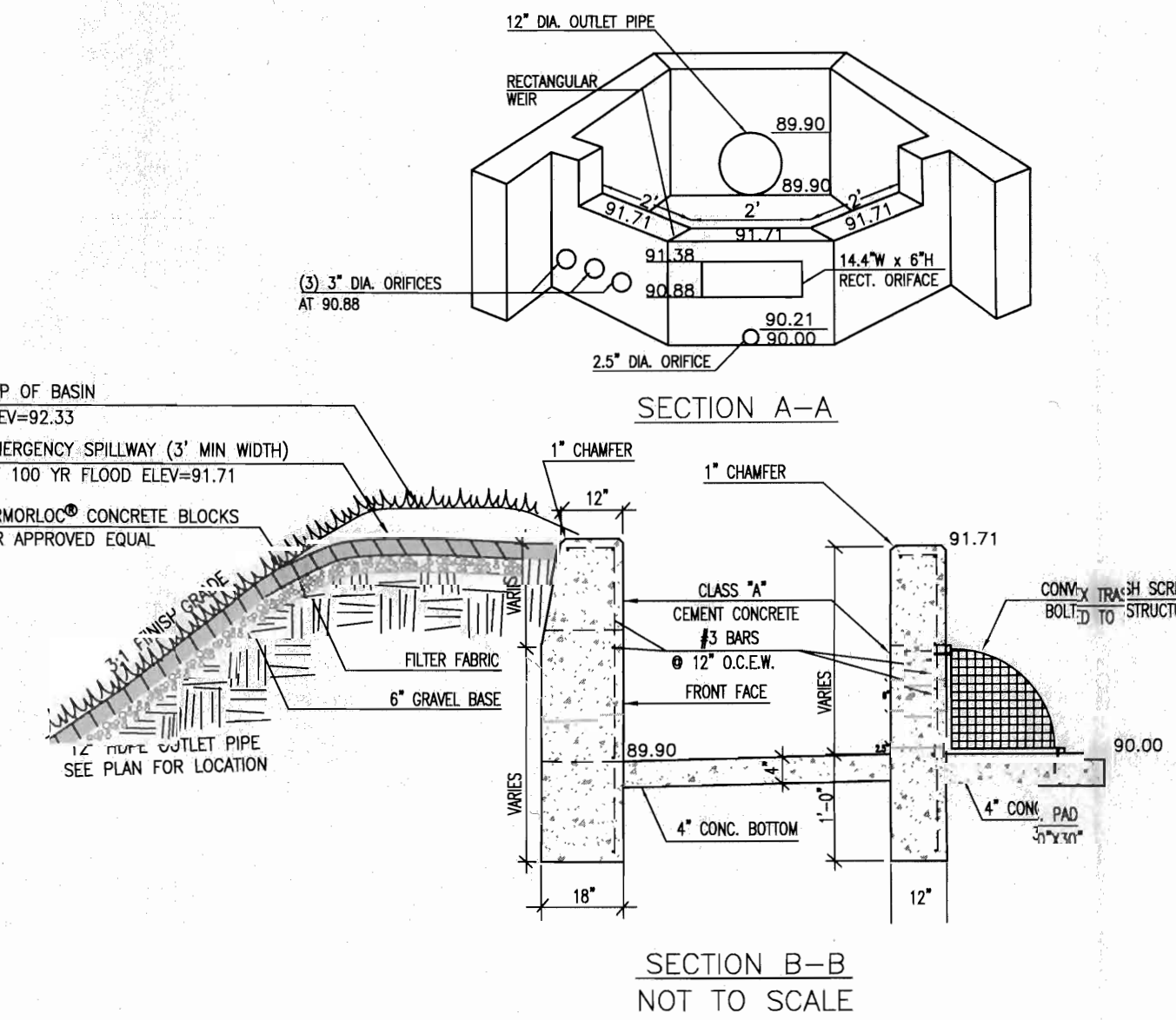
**3 Dry Well and Roof Connection**

L5 Not to Scale

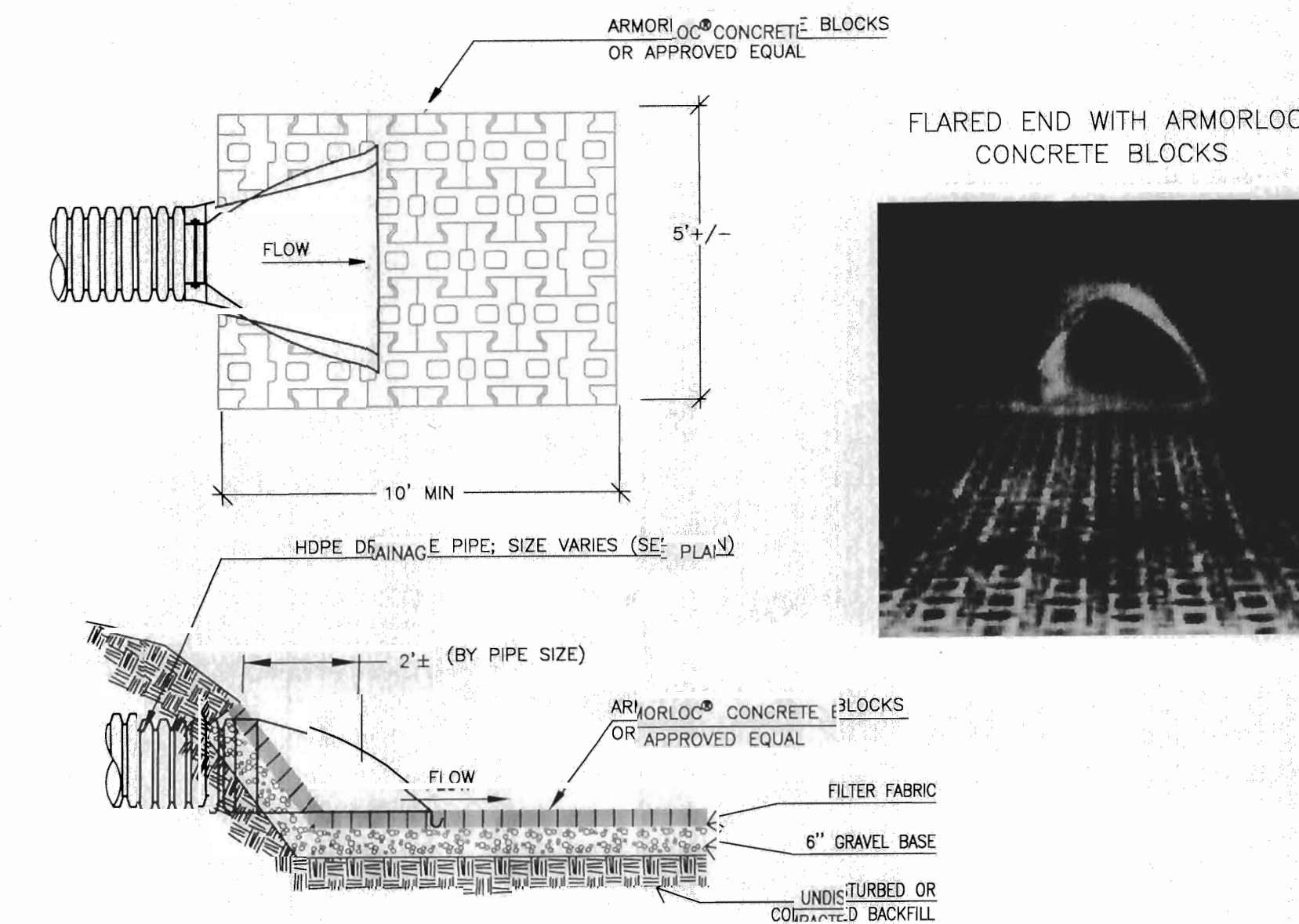


**4 Outlet Control Structure and Detention Basin Overflow**

L5 Not to Scale



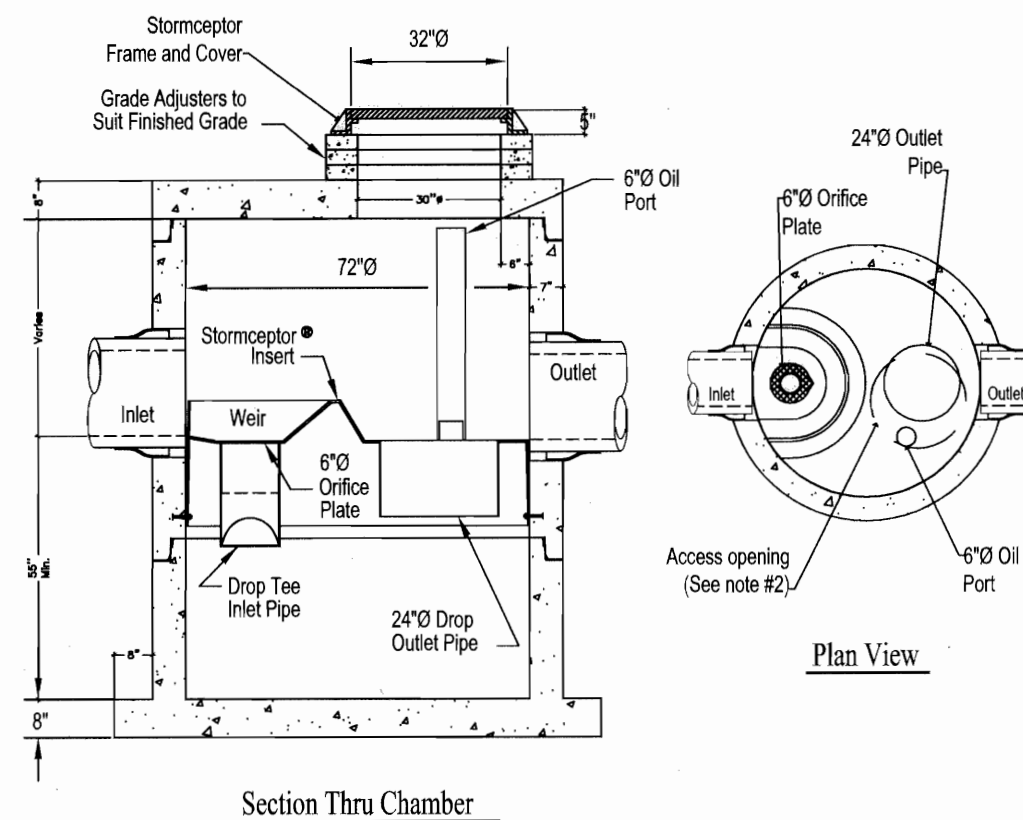
SECTION B-B NOT TO SCALE



**5 Flared End Outlet with Armorloc Erosion Protection**

L5 Not to Scale

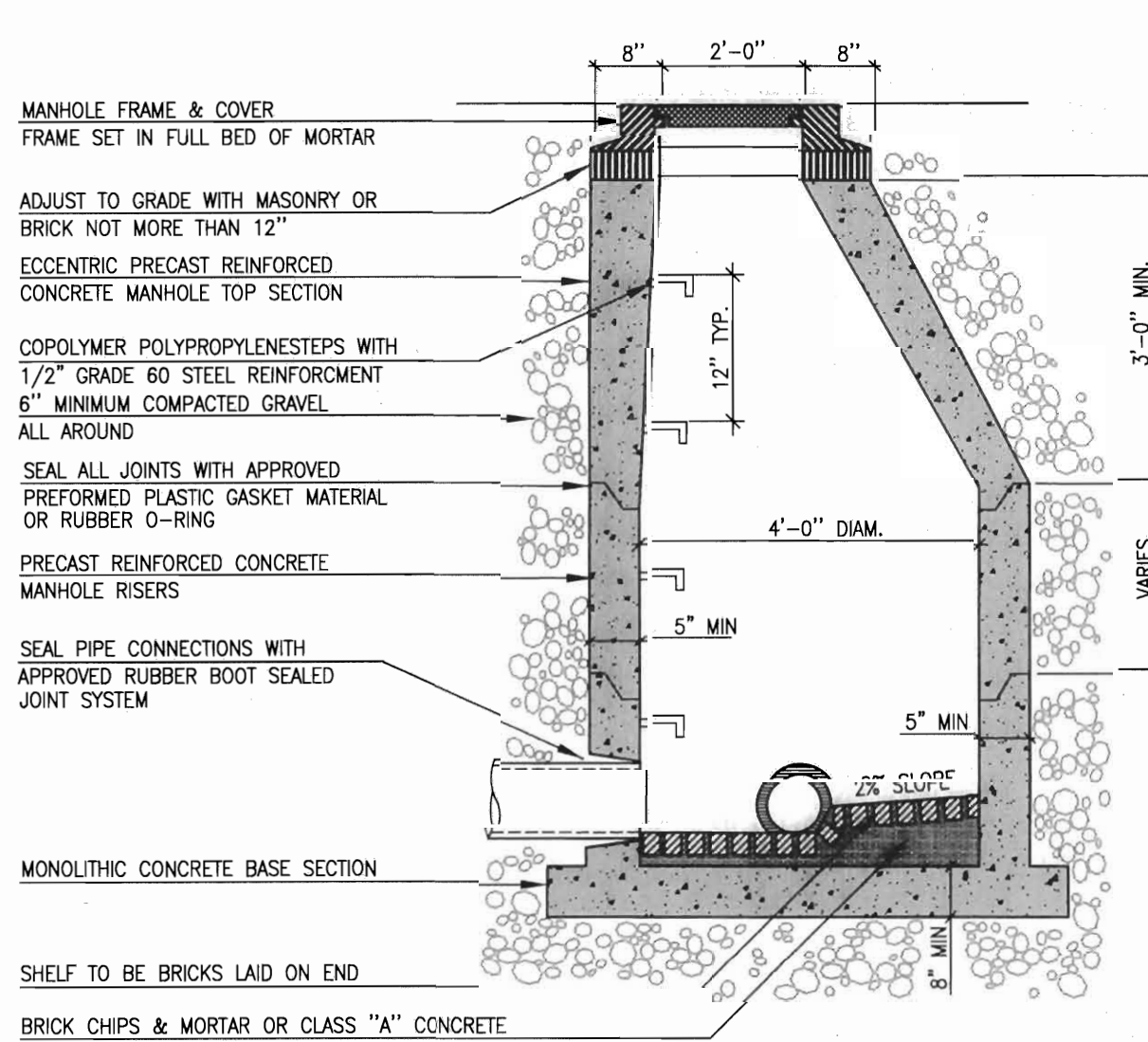
**STC 900 Precast Concrete Stormceptor® (OR APPROVED EQUAL) (900 U.S. Gallon Capacity)**



Notes:  
1. The Use Of Flexible Connection is Recommended at the Inlet and Outlet Where Applicable.  
2. The Cover Should be Positioned Over the Outlet Drop Pipe and the Oil Port.  
3. The Stormceptor System is protected by one or more of the following U.S. Patents: #4985148, #549831, #5725760, #5753115, #5849181, #6068763, #6371690.  
4. Contact a Concrete Pipe Division representative for further details not listed on this drawing.

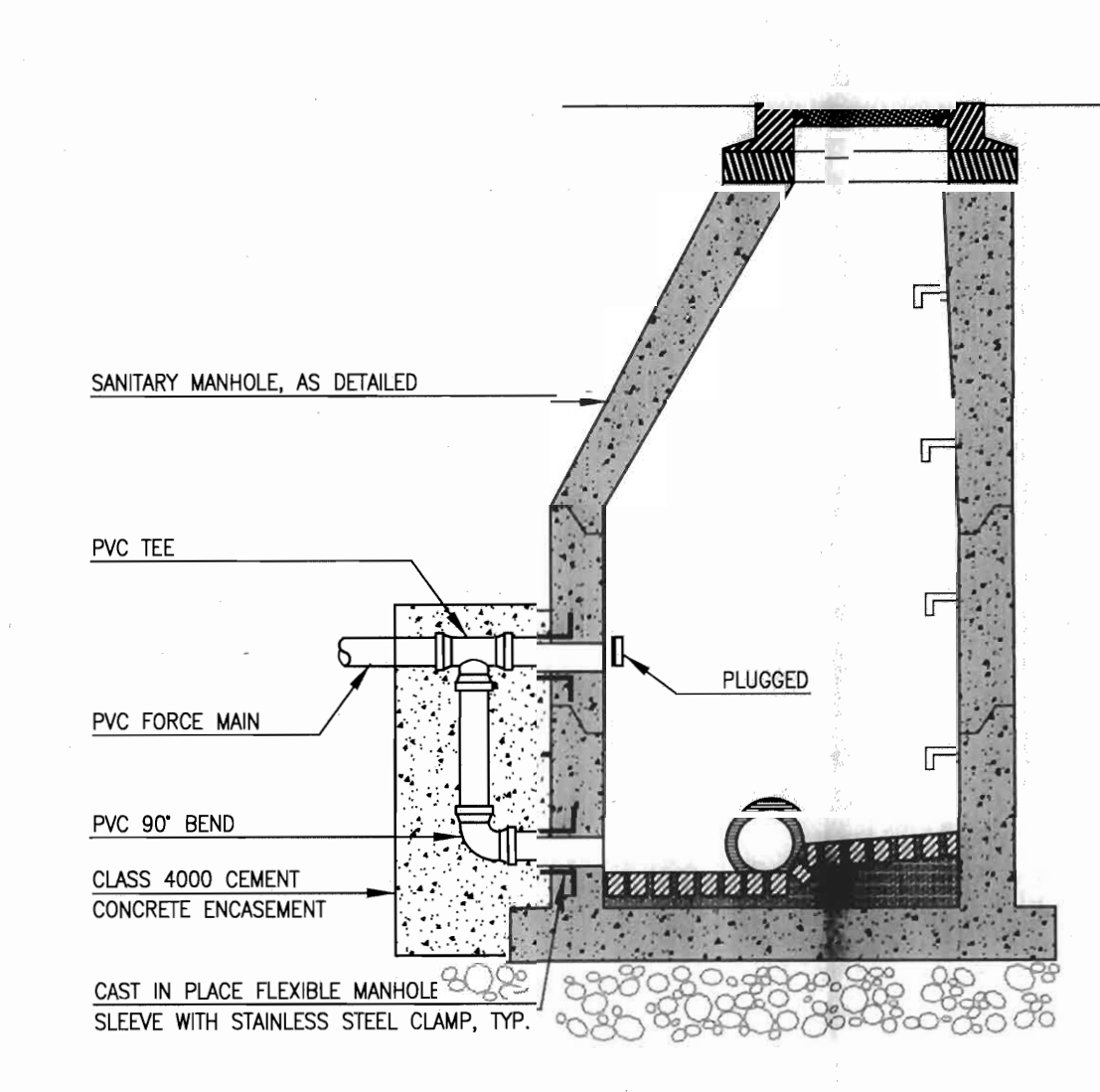
**6 Stormwater Treatment Chamber (STC 900)**

L5 Not to Scale



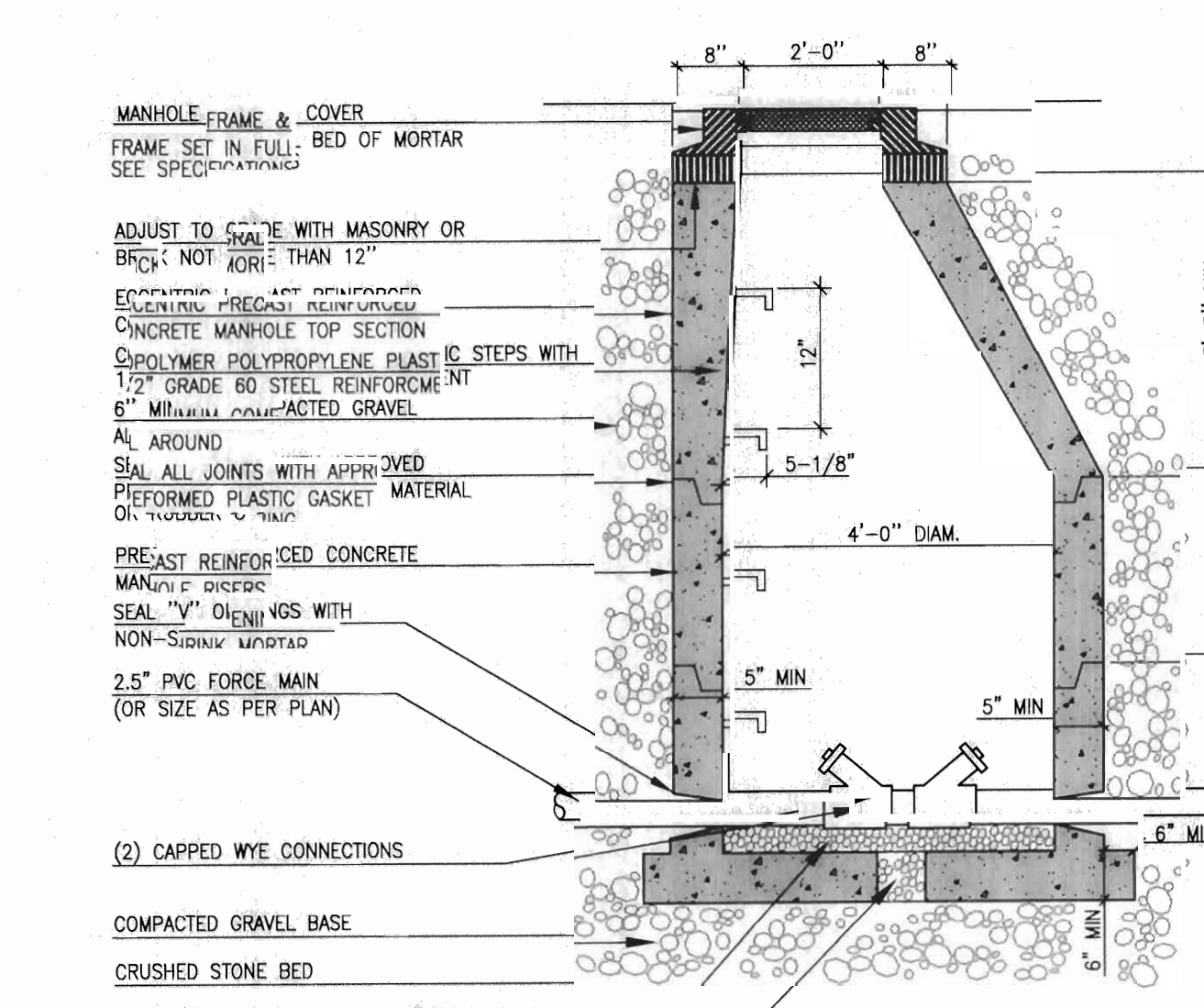
**7 Sewer Manhole**

L5 Not to Scale



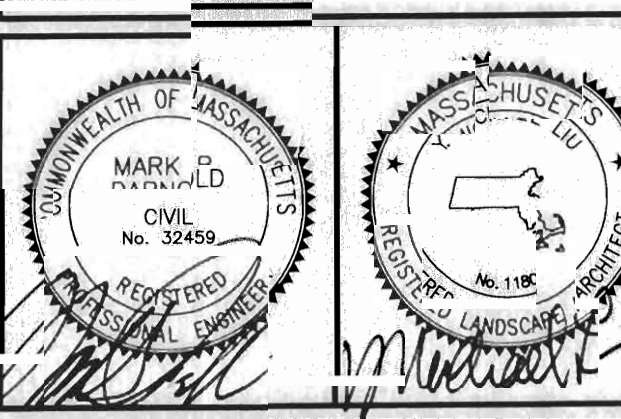
**8 Sewer Chimney Manhole**

L5 Not to Scale



**9 Sewer Cleanout Manhole**

L5 Not to Scale



This drawing is not intended nor shall it be used for construction purposes unless the signed professional seal of a registered landscape architect or civil engineer employed by The Berkshire Design Group, Inc. is affixed above.

© Copyright The Berkshire Design Group, Inc. This drawing and all of its contents are the express property of The Berkshire Design Group, Inc., and shall not be copied or used in any way without the written consent of The Berkshire Design Group, Inc.

**North Street Condominiums**  
North Street & Northern Avenue  
Northampton, Massachusetts

FOR PERMIT REVIEW ONLY  
NOT FOR CONSTRUCTION  
April 14, 2009

Details

Revisions	
06.15.09	REVISIONS
Date:	April 14, 2009
Scale:	As Noted
Drawn By:	YML/BCD
Checked By:	YML
Sheet Number:	<b>L5</b>